

Service Adjustment Procedure

Transaxle Gear Oil Level

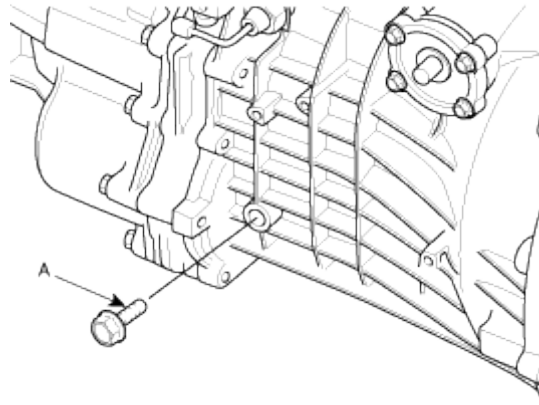
Inspection

Inspect each component for evidence of leakage.

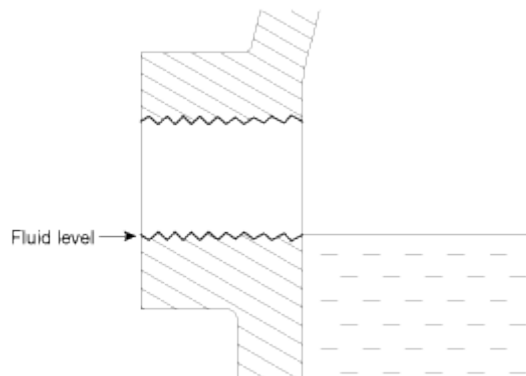
Check the gear oil level by removing the filler plug.

If the oil is contaminated, it is necessary to replace it with new oil.

1. Remove oil filler plug(A).



2. Check level with finger.
Oil level must be up to fill the hole, add oil until it runs over.



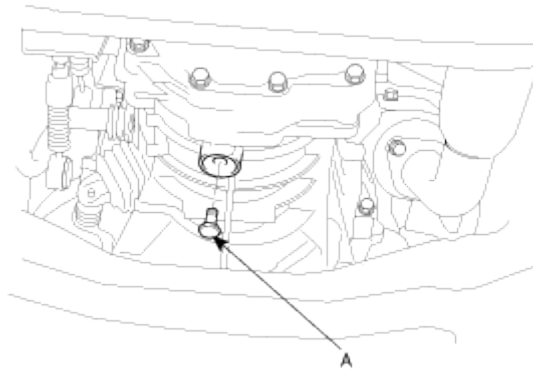
3. Install filler plug.

Tightening torque :

60~80Nm (6.0~8.0kgf.m, 43.4~57.9lb-ft)

Replacement

1. With the vehicle parked on a level surface, remove the drain plug.
2. Drain the transaxle oil after loosening the drain plug (A).



3. Install the drain plug with new washer.

Tightening torque :
60~80Nm (6.0~8.0kgf.m, 43.4~57.9lb-ft)

4. Add new oil through the fill plug hole and, fill it just below the plug opening.

Standard oil SAE 75W/85, API GL-4
Oil capacity: 3.2 L(3.381US qt, 2.815Imp qt)
